

Products and systems for the protection and repair of concrete structures.
Determination of stiffening time

STANDARD: EN 13294

Methods of test for mortar for masonry.
Determination of workable life and correction time of fresh mortar

STANDARD: EN 1015-9

E083-10

Lever Support (drill-holder type), complete with washer and penetration rod brass made, clamp and locking support. Used for the determination of stiffening time on products and systems for the protection and repair of concrete structures. Complete with container. Dimensions: 380 x 300 xh 500 mm Weight: 12 kg approx.

SPARE PARTS:

E083-11

CONTAINER, rigid aluminium made, dia. 90 by height 60 mm, complete with cover.



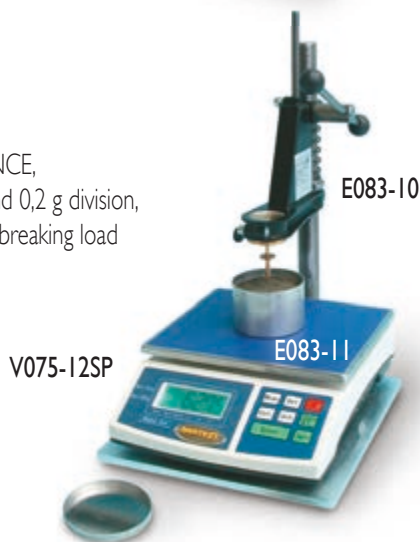
E083-10

E083-11

ACCESSORY:

V075-12SP

DIGITAL BALANCE, 15 kg capacity and 0,2 g division, with hold of the breaking load and with tare..



V075-12SP

E083-10

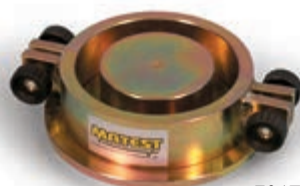
E083-11

E067

Cracking test mould

STANDARD: NF P15-434

Used to produce ring-shaped specimens designed for cracking tests on hydraulic binders. This test consists of measuring the formation time of a crack on the test specimen. Weight: 8 kg



E067

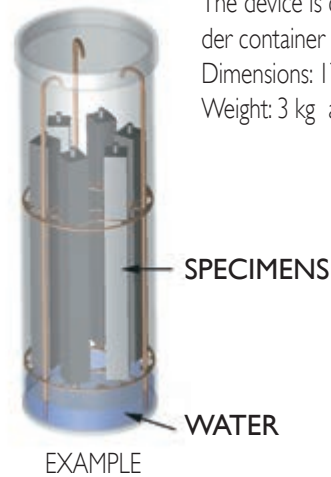
E067-05

Mortar bar container

STANDARD: ASTM C227

This test method covers the determination of the potential alkali reactivity of cement-aggregate combinations (mortar bar method).

The device is composed by an acrylic cylinder container with a stainless steel rack. Dimensions: 170mm dia. x 450mm Weight: 3 kg approx.



E067-05

E080

Plaster extensometer

STANDARDS: BS 1191 / UNI 6782

Utilized to measure the linear expansion of a paste of standard consistence. The extensometer comprises an horizontal cradle 100 mm long x 60 mm wide x 25 mm deep closed at one end and open to the other. The open end is in contact with a dial gauge spindle, so that the lateral expansion of the specimen is measured. The dial gauge has 10 mm travel and 0,01 mm. graduation. Dimensions: 250x80x80 mm Weight: 3 kg



E080

A105

Calcimeter, (Gasometer) Dietrich-Frühling
CARBONATE CONTENT CaCo³ IN LIMESTONE
AND LIME MARL

It mainly consists of a glass container in which the reaction between the calcium carbonate present in the product and a solution of hydrochloric acid takes place.

The gased product is collected and measured by a device connected to the container.

As the volume of the produced gas (Co²) is in relation to the CaCo² amount contained in the material, it is possible to calculate the percentage of CaCo³. Dimensions: 400x200x1100 mm. Weight: 13 kg



A105

